

Information about the “Bauart” spring

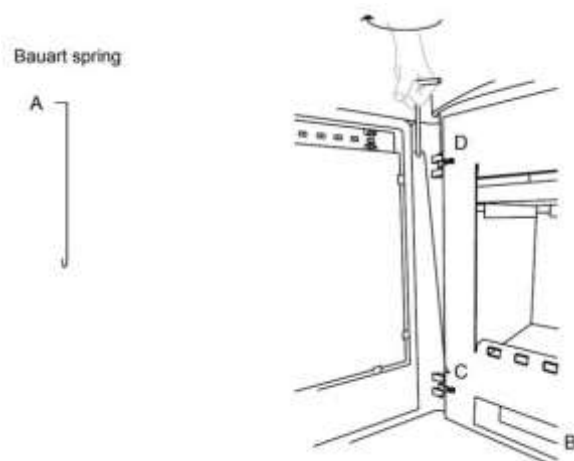
All Aduro stoves are fitted with a “Bauart” safety spring. The mechanism ensures that the door of the stove closes automatically. The “Bauart” spring is a law requirement in some European markets, so please check your local regulations if you wish to permanently remove this feature.

If you wish to remove or replace the spring with a new one, it is possible to cut the spring using a pincer. It is advisable to grab the spring with pliers or cover it with a cloth or other device to absorb the tension, as the pieces might spring out right after the cut.

Please note that the spring is in tension when the door opens, so make sure to protect yourself during fitting and removal.

Remounting the ”Bauart” spring

- 1) Open the door.
- 2) Remove the ash drawer.
- 3) Place the spring with the straight piece (A) in the opening for the ash drawer (B) and place it in the small hole for the ” Bauart” spring (C). To place the spring correctly you need to bend the spring a little.
- 4) Pull the ”Bauart” spring up as shown in the picture by using the tool*.
- 5) Turn the ”Bauart” spring a half round to place it in the hole at the top of the door (D). Now the ”Bauart” spring is mounted, and the door closes itself.



*Tool for mounting the “Bauart” spring can be bought [here](#)